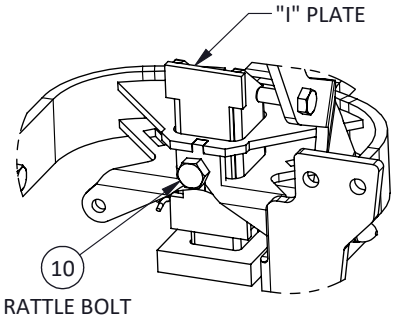
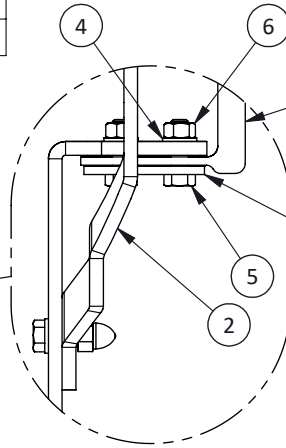
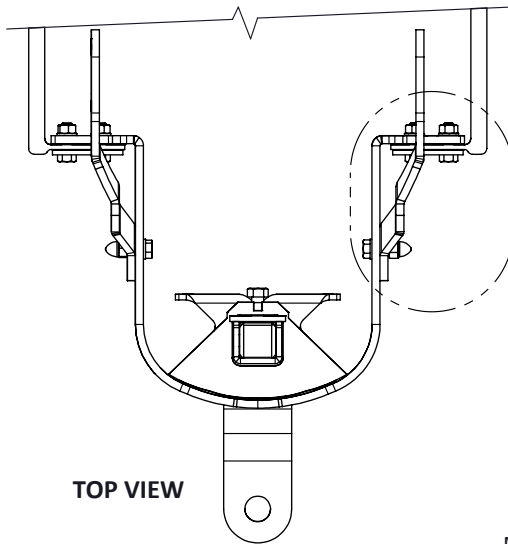


H15180 HD FLT RECEIVER 1980-2008 (5 SPEED) HITCH

ITEM NO.	PART NUMBER	QTY.	DESCRIPTION
1	H15170 200C	1	FLT LEFT SIDE ARM
2	H15170 300C	1	FLT RIGHT SIDE ARM
3	H15180C	1	FLT RECEIVER HITCH
4	H17008	6	WASHER, 1/4" FLAT USS, ZINC
5	H17104	12	BOLT, 5/16"-18 X 1 HEX, GR5 ZN
6	H17112	4	NUT, 5/16"-18 HEX, ZN
7	H17113	2	ACORN NUT, 5/16"-18 HEX, CHROME
8	H17890C	1	RECEIVER PIN, SHORT
9	H17899	1	HAIR PIN, 3/32" X 1-1/4, ZINC
10	H17903	1	BOLT, 3/8"-24 X 3/4 HEX, ZN (RATTLE BOLT)
11	H18020C	1	REC'R WLDMT, 5" X 2" OFFSET, LONG



PARTIAL FRONT VIEW OF HITCH ASSEMBLY



REMOVE TWO BOLTS AT THE SADDLE BAG BRACKET ON EACH SIDE OF THE BIKE. REPLACE THESE WITH TWO BOLTS (ITEM 5, H17104), FLAT WASHERS (ITEM 4, H17008) AND HEX NUTS (ITEM 6, H17112).

INSTALL THE SIDE ARMS (ITEMS 1 & 2) WITH ALL ACCESSORIES OVER TOP OF THE SIDE ARMS.

MOUNTING HARDWARE IS THE SAME ON EACH SIDE OF HITCH

