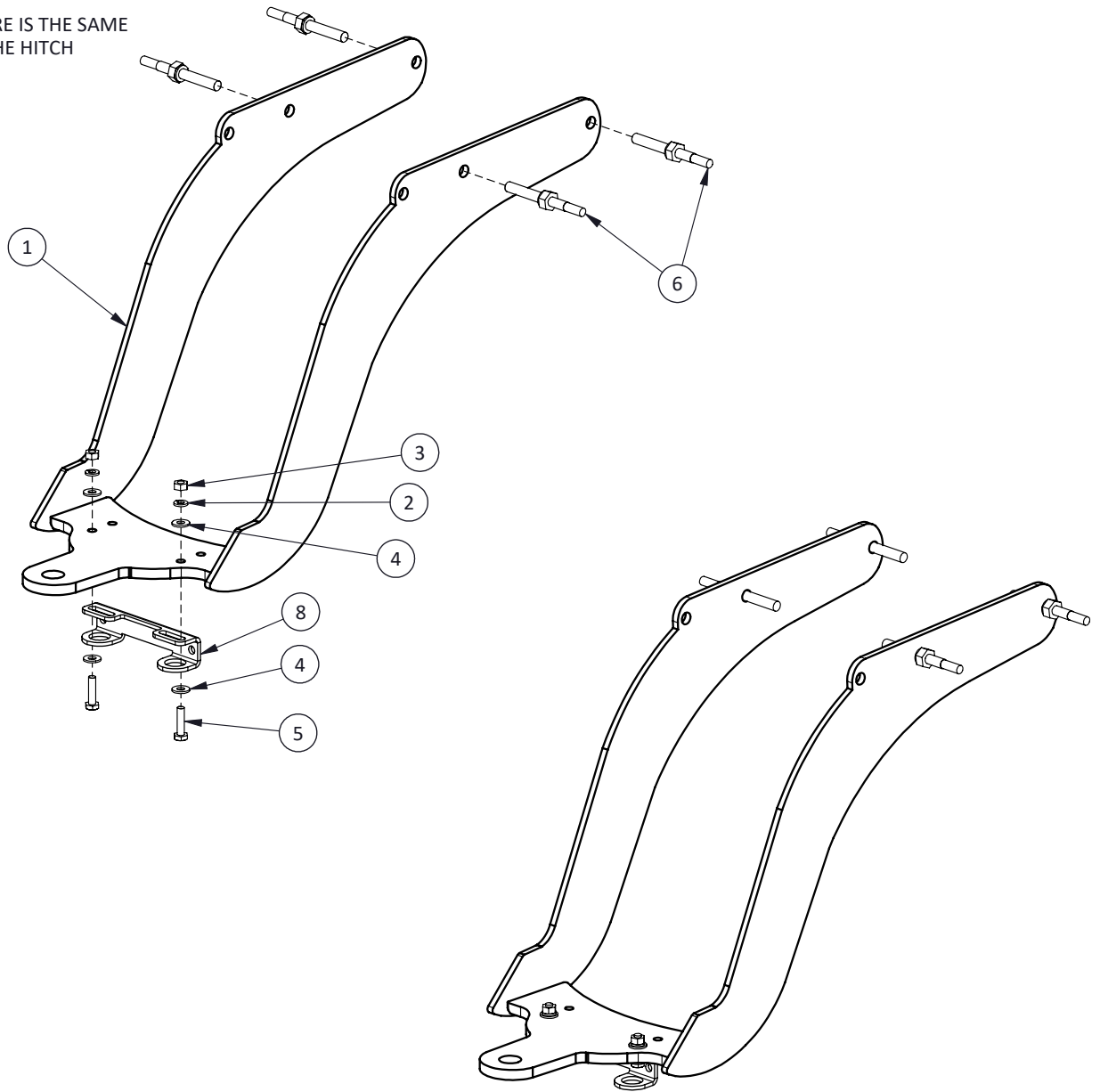


## H15130 HERITAGE SPRINGER '99 & EARLIER

ITEM NO.	PART NUMBER	QTY.	DESCRIPTION
1	H15100C	1	HERITAGE HITCH, CHROMED
2	H17003	2	WASHER, 1/4" SPLIT-LOCK, ZN
3	H17004	2	NUT, 1/4"-20 HEX, ZN
4	H17008	4	WASHER, 1/4" FLAT USS, ZINC
5	H17019	2	BOLT, 1/4"-20 X 1 HEX, GR5 ZN
6	H17400	4	SPEC. BOLT, MACH'D, LTH 3.68, ZINC
7	H17907	1	BOX #4, 27 X 8 X 11.5
8	H19914	1	TOW HOOK/MUDFLAP BRACKET
9	HDW1988	1	WARNING SHEET, HITCHES
10	HDW3104	1	INSTRUCTIONS, H15130

MOUNTING HARDWARE IS THE SAME  
EACH SIDE OF THE HITCH



**ASSEMBLED VIEW**

HDW3104  
REVA ECO 1611

REPRODUCTION IN PART OR AS A WHOLE WITHOUT THE WRITTEN PERMISSION OF HITCHDOC, MFG. IS PROHIBITED.

**\*ALWAYS CHECK BOLT LENGTH FOR TIRE CLEARANCE\***