



131 County Rd. 34 E. Jackson MN, 56143 1.800.446.8222
www.eagleplows.com

2838 – Honda Pioneer 700 Plow Mount

Note: This mount requires drilling through the plastic skid plate.

Use the attached page to help with part identification during installation. We recommend using Loctite (Blue) on all fasteners.

Tools:	3/8" Drill Bit & Drill
9/16" Wrench or Socket w/Ratchet	17mm Wrench or Socket w/Ratchet

Plow Mount Installation:

STEP 1: Remove the two bolts that attach the lower ends of the front skid plate (one on each side). Lift the plow mount (Item 2) up to the front of the machine and line the slots in the ears at the front of the plow mount up with the holes where the bolts were just removed from. Place a 7/16 lock washer (Item 5) on both of the M10 x 25mm hex bolts (Item 11). Insert the bolts through the slots in the plow mount and thread into the machine. Do not fully tighten.

STEP 2: Using the plow mount as a template, drill through the plastic skid plate where the four holes are at the back of the mount.

STEP 3: Place the mounting strap (Item 1) on top of the frame under the front differential. Place the mounting spacer (Item 3) in between the bottom of the frame and the top of the plow mount. (Different models will determine if you will use the mounting spacers. Older models may not need them while newer models may need one or both to ensure a tight fit). Place a 3/8 lock washer (Item 6) and 3/8 flat washer (Item 7) on each of the 3/8 x 1-3/4" hex bolts (Item 12). Insert each bolt through the holes on the back of the mount, through the holes drilled into the plastic skid plate, and through the mounting spacer then thread into the mounting strap above. Do not fully tighten.

STEP 4: Square the mount up to the front of the machine and then fully tighten all of the hardware working in a crisscross pattern to keep the mount straight.

Attaching the Push Tube to the Plow Mount:

STEP 1: Roll the UTV over the push tube assembly.

STEP 2: Lift the push tube up to the plow mount and line the holes in the ears on the push tube up with the holes in the ears on the plow mount.

STEP 3: Insert each of the 3/4 x 2" clevis pins (Item 9) through the holes and secure in place using the hair pin clips (Item 10).

STEP 4: Attach the lift system of choice and the plow is ready for use.

Removing the Push Tube from the Plow Mount:

Reverse the previous steps to remove the push tube. Once the 3/4" pins are removed, place them back into the holes on the push tube assembly with the hair pin clips to prevent them from getting lost when the plow is not in use.

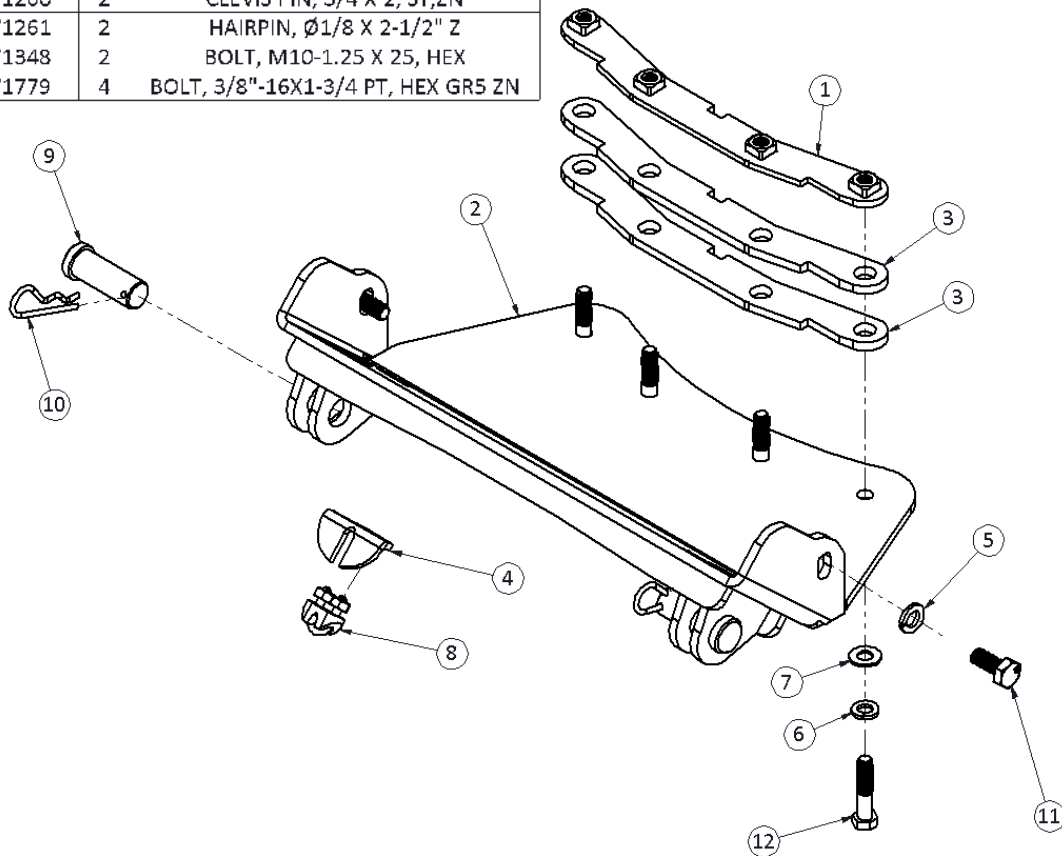
Additional Notes:

- (Optional) Mount the cable stop (Item 4) using the wire clip (Item 8) along the winch cable to prevent interference between the plow system and the machine when the plow is lifted.

It is the operator's responsibility to periodically check all fasteners/mounting hardware to ensure none have come loose during use and to check for any signs of wear.

Do NOT plow at speeds over 5mph. Doing so will void warranty on any parts that become damaged or break.

ITEM NO.	PART NUMBER	QTY.	DESCRIPTION
1	2838-3	1	MOUNT STRAP WLDMT
2	2838-4	1	PLOW MOUNT WLDMT, HONDA
3	2838-6	2	MOUNTING SPACER
4	3918-4	1	CABLE STOP
5	H3566	2	LOCKWASHER, 7/16" HELICAL SPR., ZINC
6	HDW112	4	WASHER, 3/8" SPLIT-LOCK, ZN
7	HDW1223	4	WASHER, 3/8" FLAT, SAE, ZINC
8	HDW1247	1	3/16 IN WIRE ROPE CLIP
9	HDW1260	2	CLEVIS PIN, 3/4 X 2, ST,ZN
10	HDW1261	2	HAIRPIN, Ø1/8 X 2-1/2" Z
11	HDW1348	2	BOLT, M10-1.25 X 25, HEX
12	HDW1779	4	BOLT, 3/8"-16X1-3/4 PT, HEX GR5 ZN



All hardware is a part of HDW1781 hardware kit.

*Note: There may be hardware remaining in the kit once the plow mount is installed because several plow mounts share hardware kits.