



131 County Rd. 34 E. Jackson MN, 56143 1.800.446.8222
www.eagleplows.com

2815 – Honda 700 Big Red Plow Mount

TOOLS NEEDED

17MM WRENCH OR SOCKET 3/8" DRILL BIT & DRILL
9/16: WRENCH OR SOCKET

PLOW MOUNT INSTALLATION (use attached page to help with part identification during installation)

- STEP 1: Start by removing the two 10mm bolts that are in the side of the bumper
- STEP 2: Hold the plow mount (Item 1) up to the frame and start the two 10 mm x 30 mm bolts (Item 4) with a lock washer (Item 2) and flat washer (Item 9) into the holes where the original 10 mm bolts came from. Leave these bolts loose at this time.
- STEP 3: Hold the back of the plow mount up against the bottom of the frame and use the rear holes in the plow mount as a guide for drilling the 3/8" holes. Drill through the skid plate and clean up any rough edges.
- STEP 4: Place the two U-bolts (Item 8) over the tube frame and go through the skid plate and plow mount. Secure in place with the 3/8" flat washers (Item 5) and 3/8" Nylock Nuts (Item 3). Leave these nuts loose at this time
- STEP 5: Readjust the plow mount so it is centered on the frame as much as possible and tighten all of the hardware.

ATTACHING THE PUSH TUBE

- STEP 1: Roll the UTV over the push tube assembly.
- STEP 2: Lift the push tube up to the plow mount and line the holes up on the push tube and ears on the plow mount.
- STEP 3: Insert 3/4" pins (Item 6) into the holes and snap the hair pin clips (Items 7) into the 3/4" pins.
- STEP 4: Attach the lift system of choice and the plow is ready for use.

REMOVING THE PUSH TUBE

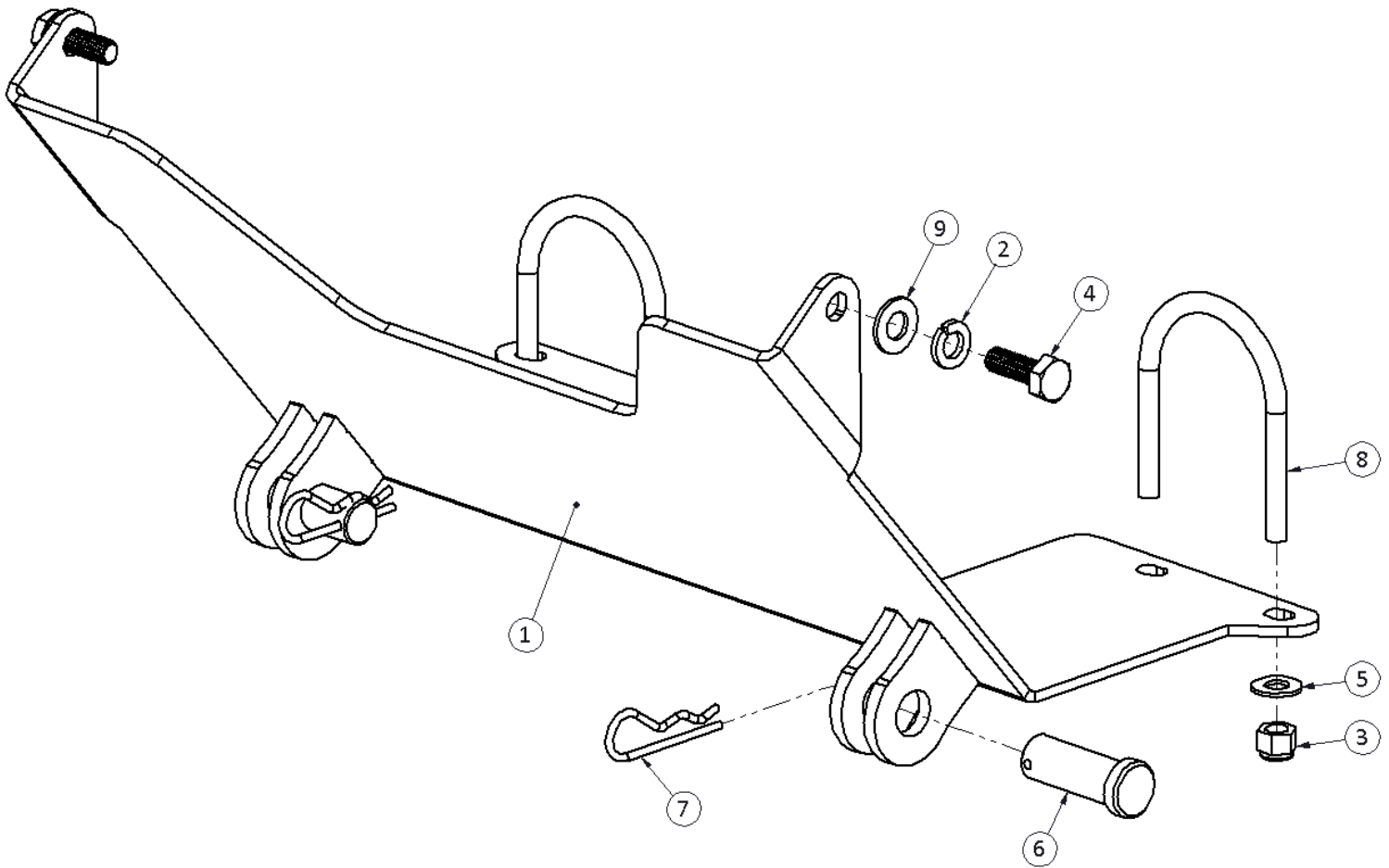
Reverse the above listed steps to remove the push tube. Once the 3/4" pins are removed, place back into the holes on the push tube assembly with the hair pin clips so they are not lost when the plow is not in use.

Periodically check all mounting hardware to make sure the Plow Mount is properly secured to the UTV.

It is the operator's responsibility to periodically check all fasteners/mounting hardware to ensure none have come loose during use and to check for any signs of wear.

Do NOT plow at speeds over 5mph. Doing so will void warranty on any parts that become damaged or break.

ITEM NO.	PART NUMBER	QTY.	DESCRIPTION
1	2815-3	1	PLOW MOUNT
2	H3566	2	LOCKWASHER, 7/16" HELICAL SPR., ZINC
3	H17043	4	NUT, 3/8-16 NYLON-INSERT, ZN
4	HDW863	2	M10-1.5 X 30MM HEX BOLT 8.8 ZN
5	HDW1223	4	WASHER, 3/8" FLAT, SAE, ZINC
6	HDW1260	2	CLEVIS PIN, 3/4 X 2, ST,ZN
7	HDW1261	2	HAIRPIN, Ø1/8 X 2-1/2" Z
8	HDW1278	2	U-BOLT, 3/8X2-1/2X3-1/2 ZN
9	HDW1562	2	WASHER, 7/16" FLAT, SAE ZINC



Hardware is from HDW1561 hardware kit.